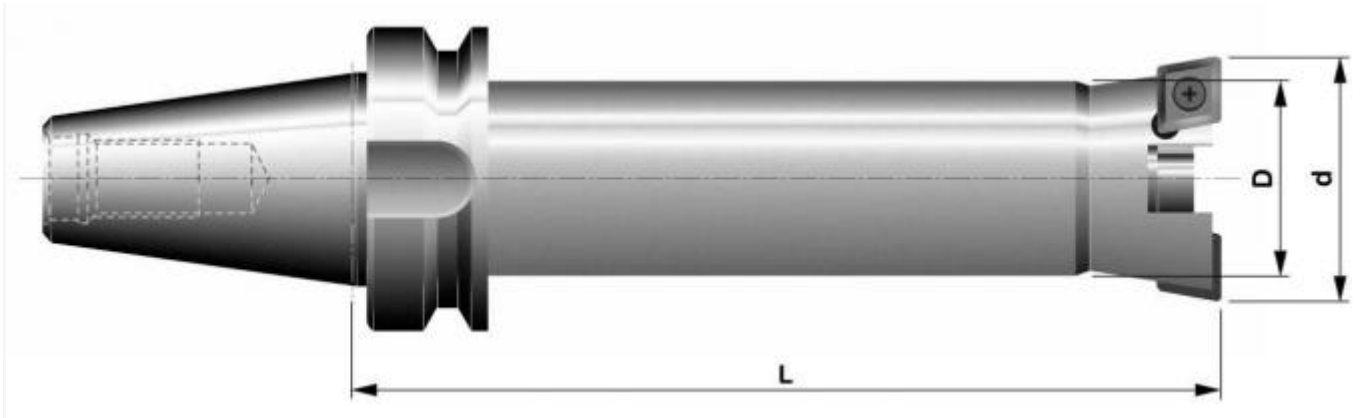


Boring bars for roughing

JIS B 6339 (MAS BT)



Boring bars are delivered with fitted cutter units [PN 24 2429](#) (without exchangeable insert). [Cutting conditions](#)

Note: We are able to deliver the boring bars for roughing till the length L=280 mm with the adaption for the coolant through in case of the special order.

Order number	Dimension-Marking	d min. - max. [mm]	D [mm]	L [mm]	Cutter unit
513 130 - 01	40 x 25 - 140	30 ÷ 39	25	140	25
513 130 - 02	40 x 32 - 140	38 ÷ 50	32	140	32
513 130 - 03	40 x 32 - 180	38 ÷ 50	32	180	32
513 130 - 04	40 x 40 - 180	48 ÷ 63	40	180	40
513 130 - 05	40 x 40 - 220	48 ÷ 63	40	220	40
513 130 - 06	40 x 50 - 180	60 ÷ 80	50	180	50
513 130 - 07	40 x 50 - 220	60 ÷ 80	50	220	50
513 130 - 08	40 x 50 - 280	60 ÷ 80	50	280	50
513 130 - 09	40 x 63 - 180	76 ÷ 110	63	180	63
513 130 - 10	40 x 63 - 220	76 ÷ 110	63	220	63
513 130 - 11	40 x 63 - 280	76 ÷ 110	63	280	63
527 130 - 01	50 x 25 - 140	30 ÷ 39	25	140	25
527 130 - 02	50 x 32 - 140	38 ÷ 50	32	140	32
527 130 - 03	50 x 32 - 180	38 ÷ 50	32	180	32

Order number	Dimension-Marking	d min. - max. [mm]	D [mm]	L [mm]	Cutter unit
527 130 - 04	50 x 40 - 180	48 ÷ 63	40	180	40
527 130 - 05	50 x 40 - 220	48 ÷ 63	40	220	40
527 130 - 06	50 x 50 - 180	60 ÷ 80	50	180	50
527 130 - 07	50 x 50 - 240	60 ÷ 80	50	240	50
527 130 - 08	50 x 50 - 340	60 ÷ 80	50	340	50
527 130 - 09	50 x 63 - 180	76 ÷ 110	63	180	63
527 130 - 10	50 x 63 - 240	76 ÷ 110	63	240	63
527 130 - 11	50 x 63 - 340	76 ÷ 110	63	340	63
527 130 - 12	50 x 80 - 190	105 ÷ 160	80	190	80
527 130 - 13	50 x 80 - 250	105 ÷ 160	80	250	80
527 130 - 14	50 x 80 - 340	105 ÷ 160	80	340	80